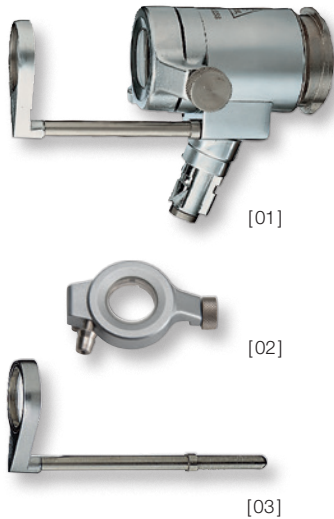


**We bring
LIGHT
into
the dark.**





Instrument Head for HEINE UniSpec® Tubes



Illumination by Fiber Optic cable and projector or 3.5V BETA Handle with illumination adaptor (X-002.98.002).

- ∴ **Annular Fiber Optic illumination.** Bright, reflex-free illumination.
- ∴ **Magnifying lens 1.5x.** High-resolution image.
- ∴ **Hinged viewing window with insufflation port.** Improved vision by insufflation.
- ∴ **Stainless Steel.**

Instrument head for UniSpec Disposable Tubes	
complete with viewing window and swivel lens 1,5x [01]	E-003.18.100
without viewing window and swivel lens	E-003.18.098
Viewing window only [02]	E-003.18.099
Swivel lens 1.5x, only (for sigmoidoscopes) [03]	E-003.18.096
same, but 1.8x (only suitable for proctoscopes and anoscopes)	E-003.19.099

HEINE UniSpec® Disposable Tubes



85x20mm 130x20mm 250x20mm

- ∴ **Disposable.** No cross-infection.
- ∴ **No cleaning required.** Saves time.
- ∴ **Moulded in patient-friendly thermoplastic.**
No cold sensation on insertion.
- ∴ **Light transmission through the tube wall.** Distal annular light exit.
Bright, homogeneous illumination of the area examined, reflex reduction.
- ∴ **Graduated inside the tube for patient comfort.** Indication of insertion length.

UniSpec Disposable Anoscopes (85 x 20 mm)	
Pack of 25 disposable anoscopes	E-003.19.925
Box of 100 (4 packs of 25) anoscopes	E-003.19.911

UniSpec Disposable Proctoscopes (130 x 20 mm)	
Pack of 25 disposable proctoscopes	E-003.19.825
Box of 100 (4 packs of 25) proctoscopes	E-003.19.811

UniSpec Disposable Sigmoidoscopes (250 x 20 mm)	
Pack of 25 disposable sigmoidoscopes	E-003.18.825
Box of 100 (4 packs of 25) sigmoidoscopes	E-003.18.811

⊗: Single use only.

HEINE Anoscope/Proctoscope Illumination Head



[01]

One single illumination head for all the tubes shown on this page.

For 2.5V or 3.5V handle or Fiber Optic illumination with Fiber Optic projector and cable.

- ∴ **A wide range of tubes with either direct or 90° direction of view available.** Many different diagnostic and treatment methods are possible.
- ∴ **Tubes can be rotated through 360°.** Select the ideal position for treatment or examination.
- ∴ **Viewing window and swivel lens both offer 2x magnification.** High-resolution image.
- ∴ **Smooth, rounded surface.** Easy to clean. F.O. version can be cleaned with conventional disinfectants.



[02]



[03]

Illumination head	2.5V XHL	3.5V XHL	F.O.
complete with swivel lens and viewing window [01]	E-001.19.101	E-002.19.101	E-003.19.120
Illumination head without accessories	E-001.19.102	E-002.19.102	E-003.19.121
XHL Xenon Halogen spare bulb	X-001.88.040	X-002.88.051	
Swivel lens, only [02]			E-000.19.103
Viewing window, only [03]			E-000.19.104

Tubes with straight direction of view

Anoscope/Proctoscope with proximal illumination.

- ∴ **Distal end of tube angled.** Assures a good view and easy access with instruments.
- ∴ **All-metal construction.** Easy to clean and disinfect with conventional solutions.



60x22mm

120x22mm

Tubes with straight direction of view

Anoscope tube 60mm x 22mm dia., complete with obturator	E-000.19.111
Proctoscope tube 120mm x 22mm dia., complete with obturator	E-000.19.107

Tubes with 90° direction of view (Blond)

Proctoscope with proximal illumination.

- ∴ **Polished metal viewing mirror.** Tough, unbreakable.
- ∴ **End-piece with mirror detachable.** Easy to clean, disinfect or sterilize.



100x20mm



130x25mm

Proctoscope Tubes

Proctoscope tube, 90° direction of view, 130mm x 25mm dia.	E-000.19.105
Proctoscope tube, 90° direction of view, 100mm x 20mm dia.	E-000.19.114



HEINE F.O. Anoscopes with annular Fiber Optic Illumination



70x25mm



70x20mm



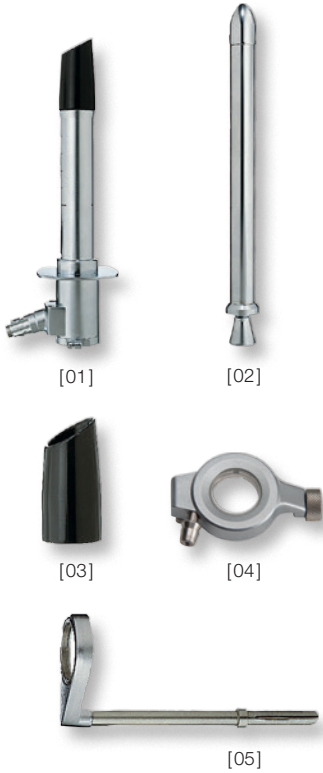
70x15mm

Illumination by Fiber Optic cable and projector or 3.5V BETA handle with illumination adaptor (X-002.98.002).

- ∴ **Three different diameters: 15 mm, 20 mm and 25 mm.** Useful range of sizes.
- ∴ **Annular Fiber Optic illumination.** Bright illumination of the area to be examined.
- ∴ **Angled tube-end.** Ensures a good view and easy access with instruments.
- ∴ **Rounded proximal shield.** Easy insertion and rotation.
- ∴ **Tube can be dismantled.** Easy to clean and disinfect with conventional solutions.
- ∴ **Stainless steel.** Durable.

Anoscope	F.O.
70x25 mm dia., complete with obturator	E-003.19.325
70x20 mm dia., complete with obturator	E-003.19.320
70x15 mm dia., complete with obturator	E-003.19.315

HEINE F.O. Proctoscopes with Distal Annular Illumination



Illumination by Fiber Optic cable and projector or 3.5V BETA handle with illumination adaptor (X-002.98.002).

- ∴ **Distal annular Fiber Optic (F.O.) illumination.** Bright, reflex-free illumination.
- ∴ **Magnifying lens 1.8x magnification.** High-resolution image.
- ∴ **Hinged viewing window with insufflation port.** Vision can be improved by insufflation.
- ∴ **Angled tube-end.** Improves vision and access.
- ∴ **End-piece can be unscrewed.** Easy to clean and disinfect with conventional solutions.
- ∴ **Stainless steel.** Durable.

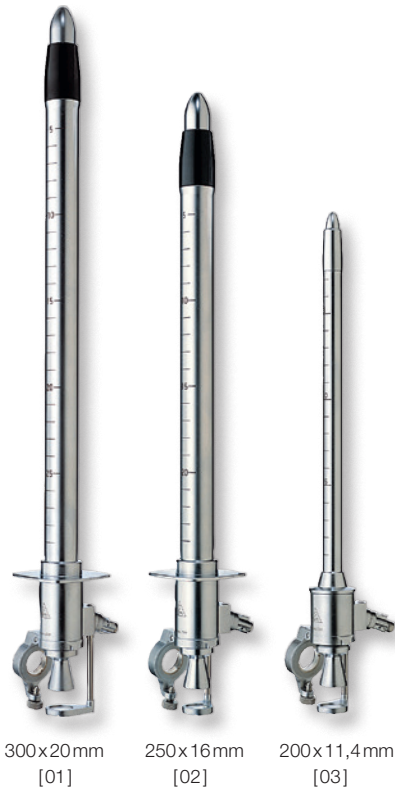
Proctoscope	F.O.
130x20 mm dia., complete with obturator, viewing window, swivel lens and end-piece	E-003.19.213
Proctoscope tube without accessories [01]	E-003.19.013
Obturator, only [02]	E-003.19.113
End-piece, only [03]	E-003.19.095
Viewing window, only [04]	E-003.18.099
Swivel lens 1.8x, only [05]	E-003.19.099



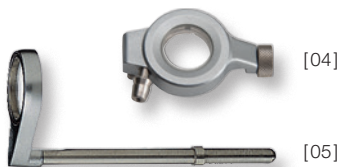
HEINE F.O. Sigmoidoscopes with Distal Annular Illumination

Illumination by Fiber Optic cable and projector or 3.5V BETA handle with illumination adaptor (X-002.98.002).

- ∴ Available in various sizes: 300x20 mm, 250x20 mm, 200x20 mm, 250x16 mm, 200x11.4 mm. Sizes suitable for most patients of all ages.
- ∴ Distal annular Fiber Optic (F.O.) illumination. Bright, reflex-free illumination.
- ∴ Swivel lens with 1.5x magnification. High-resolution image.
- ∴ Opening viewing window with insufflation port. Vision can be improved by insufflation.
- ∴ Graduated in cm. Indication of insertion length.
- ∴ Plastic end-piece. Insulated.
- ∴ End-piece can be unscrewed. Easy to clean and disinfect with conventional solution.
- ∴ Stainless steel. Durable.



300x20 mm [01] 250x16 mm [02] 200x11,4 mm [03]



Sigmoidoscope	F.O.
300x20 mm dia. with obturator, viewing window, swivel lens and end-piece [01]	E-003.18.230
End-piece, only	E-003.18.095
250x20 mm dia. with obturator, viewing window, swivel lens and end-piece	E-003.18.225
End-piece, only	E-003.18.095
200x20 mm dia. with obturator, viewing window, swivel lens and end-piece	E-003.18.220
End-piece, only	E-003.18.095
250x16 mm dia. with obturator, viewing window, swivel lens and end-piece [02]	E-003.18.525
End-piece, only	E-003.18.088
200x11.4 mm dia. with obturator, viewing window and swivel lens [03]	E-003.18.240
End-piece, only	E-003.18.094
Viewing window, only [04]	E-003.18.099
Swivel lens 1.5x, only [05]	E-003.18.096

Double Bulb Insufflator/Hygiene Filter

For use with anoscope, proctoscope and rectoscope



- **Latex-free double bulb insufflator** for air insufflation.
- For possible use with anoscope, proctoscope and rectoscope.
- **Disposable hygiene filter** minimises contamination of the double bulb insufflator.

Double Bulb Insufflator	E-000.18.105
-------------------------	--------------

Disposable Hygiene Filters 25 pcs/pack	E-000.18.116
--	--------------

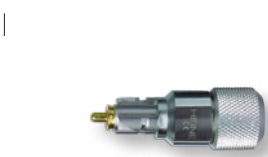
Sponge Holder



- **High quality design in stainless steel.**

Sponge holder 400 mm working length	E-000.18.906
-------------------------------------	--------------

HEINE Illumination Adaptor



Can be attached to any HEINE 3.5V power source to illuminate any HEINE fiber optic instrument, e.g. anoscope, proctoscope or sigmoidoscope.

Illumination adaptor	3.5V XHL
-----------------------------	-----------------

Illumination adaptor	X-002.98.002
----------------------	--------------

XHL Xenon Halogen spare bulb	X-002.88.078
------------------------------	--------------

Sigmoidoscope/Proctoscope Kit RE 7000



Set complete with: **Instrument head** for UniSpec Disposable Tubes with viewing window and swivel lens 1.5x
 Pack of 25 UniSpec Sigmoidoscope Tubes 250 mm
 Pack of 25 UniSpec Proctoscope Tubes 130 mm
 Pack of 25 UniSpec Anoscope Tubes 85 mm
 Sponge holder
 Double bulb insufflator
 F.O. Projector HK7000, 150 W
 Fiber Optic cable

Sigmoidoscope/Proctoscope Kit RE 7000	F.O.
Complete Sigmoidoscope/Proctoscope Kit RE 7000	E-096.15.501
Spare bulb, 150W	Y-096.15.102
Disposable Hygiene Filters 25 pcs/pack	E-000.18.116

230V is the standard mains voltage. If a different voltage is required, e. g. 120V, please specify when ordering.

Sigmoidoscope/Proctoscope Kit BETA4 USB



Set complete with: **Instrument head** for UniSpec Disposable Tubes with viewing window and swivel lens 1.5x.
 Pack of 25 UniSpec Sigmoidoscope Tubes 250 mm
 Pack of 25 UniSpec Proctoscope Tubes 130 mm
 Pack of 25 UniSpec Anoscope Tubes 85 mm
 Sponge holder
 Double bulb insufflator
 Illumination adaptor
 Connecting cord 2 m
 BETA4 USB Rechargeable Handle with
 E4-USB Medical approved plug-in power supply

Sigmoidoscope/Proctoscope Kit BETA4 USB	3.5V XHL
Complete Sigmoidoscope/Proctoscope Kit BETA4 USB	E-097.27.388
Spare bulb	X-002.88.078
Disposable Hygiene Filters 25 pcs/pack	E-000.18.116

