

Canon



RK-F2

Full Auto
Ref-Keratometer

Specifications RK-F2

Specifications		Refractometry	
Dimensions	260 W x 490 L x 470 H mm	Sphere (SP H)	- 30 to + 22D (Increments: 0.12 & 0.25 D)
Weight	appr. 15 kg	Cylinder (CYL)	0 to ± 10D (Increments: 0.12 & 0.25 D)
Display	Tilting 5.7 inch VGA colour TFT LCD screen	Axis (AX)	1° to 180° (Increments: 1°)
Printer	Thermal line printer with auto cutter	Pupil distance (PD)	30 to 88 mm
Chinrest	Motorized	Min. pupil size	2.0 mm
Interface	USB Host (input) / RS-232C, LAN (output)	Keratometry	
Power	100 – 240 V, 50 / 60 Hz	Radius of curvature	5 to 10 mm (Increments: 0.01 mm)
Power saving mode	YES	Corneal power	33.75 to 57.5 D (cornea refractive index = 1.3375) Internal eye fixation (CX-IF) Chin rest paper (500 sheets)
Optional accessories	Chin rest paper, printing paper	Axis	1° to 180° (Increments: 1°)
Alignment modes	Full Auto, Auto, Fine Control, Tracking and manual	Corneal periphery	Measurement area: 30° (when radius of curvature is 8 mm)
		Corneal diameter	2.0 to 14.0 mm

Your Canon dealer:

Canon
CANON MEDICAL SYSTEMS EUROPE B.V.
<https://eu.medical.canon>

©Canon Medical Systems Corporation 2019. All rights reserved.
Design and specifications subject to change without notice.
Model number: RK-F2
MCAEC0001EUC 2019-08 CMSE/Printed in Europe

Canon Medical Systems Corporation meets internationally recognized standards for Quality Management System ISO 9001, ISO 13485.
Canon Medical Systems Corporation meets the Environmental Management System standard ISO 14001.
Made for Life is a trademark of Canon Medical Systems Corporation.

Disclaimer: Some features presented in this brochure may not be commercially available on all systems shown or may require the purchase of additional options. Please contact your local Canon Medical Systems representative for details.

Made For life



RK-F2

Full Auto Ref-Keratometer

An extremely compact, fully automatic Ref-Keratometer which combines high speed, automation and precision for efficient non-invasive ophthalmic diagnosis.



Refractometer



Keratometer

Our vision lets you see more



Camera: Canon EOS 1Ds Mark III (7.1/4.0) | ISO 200

Insightfulness. The intelligent RK-F2 Ref-Keratometer with fully automatic, fast 3D alignment and measurement.



The compact and lightweight RK-F2 with its fully automatic alignment and measurement system, takes ophthalmic examination to a new dimension of simplification, in just one step.

With the press of a button, the RK-F2 carries out: alignment and measurement of both eyes and provides an automatic print-out of results. This process significantly reduces overall examination time and increases throughput. Speed, in combination with Canon's latest measurement technology increase the accuracy and reliability of eye examinations. The RK-F2 is easier to use, more efficient and precise.

Tilting LCD Screen

40° Display tilt means that the unit can be operated while standing or sitting. Multifunctional switches are placed around the screen.

New design

Compact and lightweight
A great fit in any examination room



At the press of a button

Simply align on the pupil and the advanced, intelligent automatic operation will take over.

- No time-consuming exact alignment or focusing required
- Simply align the RK-F2 approximately on one of the patient's pupils, press the start button and the automatic 3D measurement takes over
- RK-F2 will align, focus and measure both eyes one-by-one: no additional action required by the operator
- Auto measurement can even be done in normal light conditions: no need to darken the room
- Print-out of the measurement is done automatically

Image. Interpret. Innovate.

Advanced 3D fully automated operation Just approximately align on the pupil and press the button - the advanced automatic operation will take over and measurements of both eyes will be performed.

Short examination times The RK-F2 aligns and measures extremely quickly. Even the printout is automatic, minimizing patient discomfort.

Measure pupil diameters as small as 2 mm: For easy measurement of patients with small pupils.

Extensive measurement modes refraction and keratometry, corneal periphery measurement, retro-illumination mode, CLBC and diameter measurement.

Excellent ergonomics The tilting 5.7" colour LCD screen makes it possible to operate the RK-F2 while standing or sitting.

Powered joystick For extremely light 3D alignment and sophisticated fine manual control when measuring cataract patients in the retro-illumination mode.

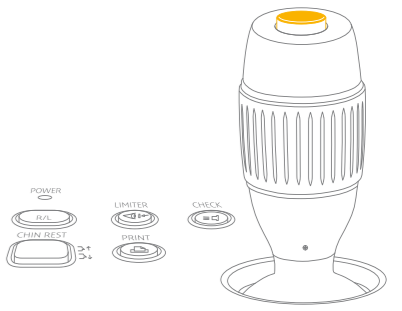
Tracking mode For measuring young children and patients with nystagmus. The RK-F2 will automatically maintain the correct distance to the patient's eye so the operator can concentrate on the alignment.

Extended connectivity With USB, RS-232C and LAN connections for easy network integration with existing practice management systems.

Fast point-and-click alignment

Accuracy and speed are essential for optimized workflow efficiency. Due to its intelligent full 3D alignment functionality, the RK-F2 can start a complete measurement procedure with only a basic alignment on one eye.

With a simple push of the button, the RK-F2 conducts automatic examination of both eyes from alignment to printing.

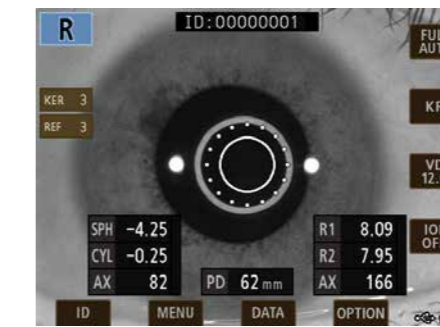


Powered Joystick

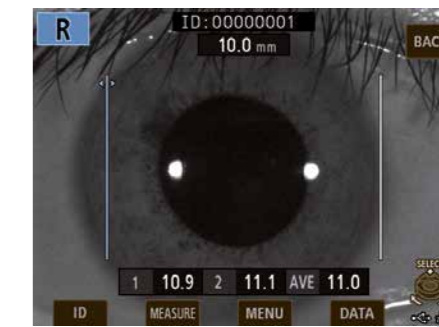
- Accurate, automatic and fast measurement at the push of a button
- Advanced automated alignment for complete examinations



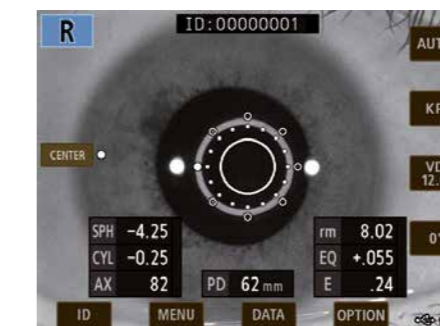
Extensive measurement modes



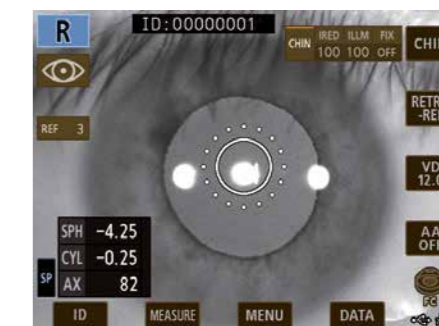
Refraction and central keratometry, with very high reliability and precision.



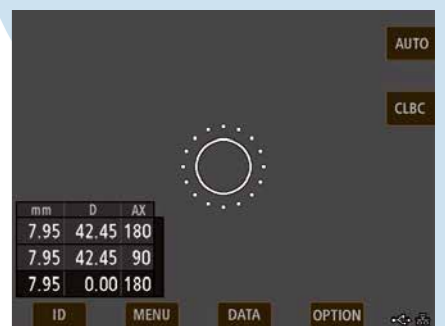
Diameter measurement of the pupil, cornea or contact lens can be performed.



Corneal periphery measurement, eight points can be measured for the peripheral keratometry.



Retro-illumination mode, useful for identifying cataracts, vitreous opacity, scars, and other serious eye problems.



CLBC mode, useful for determining the base curve of a contact lens.